



## Development of Simulation Model of Single-Phase Circuit Lock in the DiGSILENT PowerFactory Program

---

Volodymyr Pazyi, Oleksandr Mirosnyk, Oleksandr Moroz,  
Andriy Pavlov, Anatolii Sereda and Roman Buinyi

EasyChair preprints are intended for rapid dissemination of research results and are integrated with the rest of EasyChair.

October 3, 2021

# *Development of simulation model of single-phase circuit lock in the DiGSILENT PowerFactory program*

Volodymyr Pazyi  
Petro Vasilenko KHNTUSG  
Kharkiv, Ukraine  
[pazyiy@khntusg.info](mailto:pazyiy@khntusg.info)

Oleksandr Mirosnyk  
Petro Vasilenko KHNTUSG  
Kharkiv, Ukraine  
[omirosnyk@khntusg.info](mailto:omirosnyk@khntusg.info)

Oleksandr Moroz  
Petro Vasilenko KHNTUSG  
Kharkiv, Ukraine  
[moroz.an@khntusg.info](mailto:moroz.an@khntusg.info)

Andriy Pavlov  
Petro Vasilenko KHNTUSG  
Kharkiv, Ukraine  
[andrey.pavlov@ocean-sc.net](mailto:andrey.pavlov@ocean-sc.net)

Anatolii Sereda  
Petro Vasilenko KHNTUSG  
Kharkiv, Ukraine  
[ais66@khntusg.info](mailto:ais66@khntusg.info)

Roman Buinyi  
CPNU,  
Chernihiv, Ukraine  
[buinyroman@gmail.com](mailto:buinyroman@gmail.com)

**Abstract** — The most widespread types of damage in distribution networks are analyzed by a voltage of 6-35 square meters. It is shown that the predominant amount of them form single-phase land closures, which can also cause a stress in the place of damage and negatively affect the electrical equipment, which can lead to a decrease in economic indicators. The methods of increasing the reliability of distribution networks with a voltage of 6-35 square meters are analyzed. The main attention is focused on the method of improving reliability due to the grounding of neutral through an arc reactor, the main advantage of which in operation is a continued work with a single-phase circuit to land without disconnecting consumers. The simulation model of the distribution network in the mode of single-phase circuit to land is developed and its main parameters are calculated. As a simulation environment, the software complex DiGSILENT PowerFactory is used. A specific example of calculating parameters when using the proposed simulation model in the DiGSILENT PowerFactory program containing 5 air and 5-cable transmission lines of 35 kV and from 10 to 100 kilometers. Using this model will allow you to study transient processes in single-phase ground circuit mode, prevent emergency situations in distribution networks.

**Keywords** — DiGSILENT PowerFactory, single-phase earth fault, modeling of electrical networks.

## I. INTRODUCTION

One of the most common types of damage in distribution networks with a voltage of 6-35 kV is one-phase land circuit (OLS). The share of this prompt damage is about 90% of the total amount of damage [1-4]. In addition, with significant currents, OLS can grow into a multi-phase short circuit. After damage to the insulators, there is a breakdown of the air line wires, through which the step voltage may occur. OLS also negatively affects electrical equipment, which can lead to a decrease in economic indicators. One way to increase the reliability of the operation of distribution networks with a voltage of 6 - 35 kV is the grounding of neutrals through an arc gauge reactor, the main advantage of which in operation is a continued work from the OLS without disconnection of consumers[5-10].

## II. ANALYSIS OF RECENT RESEARCH AND PUBLICATIONS

The complexity of the implementation of this neutral operation regimen is due to the fact that the capacitive current varies depending on the network configuration, the resonance can be maintained only automatically, using smoothly regulated dugs (plunger type) and an automatic control system. In the practice of exploitation there is improper use of capacitive currents compensation, therefore, instructions and recommendations for compensation of capacitive currents are not executed, set out in [11-13]. Thus, the benefits of compensation are reduced. This gives the drive to some experts to draw conclusions about the disadvantages of compensation and even its harmfulness (a large level of arc overvoltage and the possibility of transition of OLS in inter-phase closure with a significant disorder).

## III. THE GOAL OF THE WORK

Development of the simulation model of the distribution network in the mode of single-phase circuit to land and the calculation of its basic parameters.

## IV. SETTING OBJECTIVES

In the power engineering there are devices for assurance of electricity quality. Such devices use an active current filtration. This is a complex (volumetric) electrical system. Analysis, as well as experimental verification of such systems is a very costly and labor-intensive work. In this case, in order not to carry out such expensive procedures, solved the problem by replacing the device to a virtual computer model.

In order to increase the efficiency of the distribution network with compensated neutral and eliminating compensation shortcomings, it is recommended to use smoothly adjustable reactors with automatic adjustment. Much attention should be paid to the control system of an arc reactor, because it depends on the correctness of the compensation current for various electrical network

configurations. Evaluate different control systems may use simulation simulation. Modeling a distribution network with compensated neutral allows you to study transient processes that occur in different operating modes and make an analysis of the impact of transient processes on the performance of automatic adjustment systems.

## V. BASIC MATERIAL AND RESULTS

### A. Research methods

PowerFactory environment, a scheme for replacing the distribution network was implemented [8].

DIGSILT POWERFACTORY is an engineering tool for analyzing industrial, transmitting and commercial electrical systems. It has been developed as an improved integrated and interactive software system designed for electrical systems and analysis of management systems to achieve the main tasks of planning and optimizing modes. The accuracy and reliability of the results obtained with this software have been confirmed by a multitude of implementations performed by organizations that are engaged in planning and operating of electric power systems.

To meet modern requirements for analyzing electrical systems, the DIGSILENT software package is designed as an integrated engineering tool, provides easy access to all available features, instead of a set of different software modules. The following main features of PowerFactory are presented in a single executable program [14]:

- determination, change and ordering of research options; the main numerical methods; functions of output and documentation;
- Integrated interactive one-line graphic and information software shell.
- database of elements of electrical systems and output parameters;
- integrated calculation functions (for example, calculating the parameters of transmission lines (pulp) and electric machines based on geometric dimensions or passport data);
- configuration of an electrical network based on an interactive or prompt request to the SCADA system;
- Multifunctional interface for dynamic display using a computer.

With a single database that contains all the necessary information on the equipment of the electrical system (for example, the parameters of the transmission line, generators, protective devices, oscillations, controllers), PowerFactory will easily perform any or simultaneously all available features in one and the same software environment. Some of these functions are the calculation of the established mode, calculation of short-circuit currents, harmonious analysis, coordination of protective devices, calculation of stability and modal analysis.

PowerFactory includes an impressive and ever-growing list of modeling features:

- analysis of the established mode and short-circuit currents for all types of electric networks, including complexified 1-, 2-, and 3-phase variable and DC systems;
- analysis of low voltage networks;
- optimization of distribution networks;
- choice of intersection of cable lines;

- modeling of dynamic and electromagnetic transitional processes;
- analysis of own numbers;
- identification of the system;
- analysis of emergency situations and protection;
- harmonious analysis;
- analysis of reliability and voltage resistance;
- simulation of power electronics devices;
- Grounding modeling;
- analog-to-digital interfaces, the interface for SCADA/GIS/NIS.
- Compatibility with other software products such as PSS/E and PSS/U.
- Optimization of the established mode.

### B. Results of modeling

Let's consider in more detail the calculation of the main parameters of the distribution network model in the OZS mode. In fig. 1 shows a model of a three-phase electrical network. To determine the average value of the phase capacity relative to the air line, we will use the expression [9, 15-19]:

$$C_{\text{пл}} = 0,4884 \cdot 10^{-9} K_{tr} \cdot K_{kil} \cdot K_{roz} \cdot \ln \times \\ \times (3,4 \cdot 10^3 r + 3,56 \cdot 10^3) \times \ln (-0,02 PK_{U1} + \\ + 2,97 K_{U2}) \quad (1)$$

where  $K_{tr}$  is a coefficient depending on the presence of a lightning protection rope;

$K_{kil}$  – coefficient, which depends on the number of circles of the line that is suspended in one resistance;

$K_{roz}$  – a coefficient that depends on the placement of wires on the support;

$r$  – radii of phase spinning, mm;

$P$  – the amount of interphase distances between phases (if the two-circuit line is only one circle), m;

$K_{U1}, K_{U2}$  – coefficients that depend on the voltage of the line (with  $U = 6-10$  kV  $K_{U1} = 5,29$ ;  $K_{U2} = 1,175$ ; with  $U = 35$  kV  $K_{U1} = K_{U2} = 1$ ) [9].

The coefficient of  $K_{tr}$  acquires the following values: in the absence of a cable  $K_{tr} = 1$ ; with a single-letter line and the presence of a cable  $K_{tr} = 1,082$ ; With a two-wheeled line of the presence of a cable  $K_{tr} = 1,037$ . The coefficient of  $K_{kil}$  acquires the following values: with a single-wheel line  $K_{kil} = 1$ ; With a two-wheel line  $K_{kil} = 1.15$ .

The average phase capacity relative to the ground for the cable line will find according to the following expression [9, 20]:

$$C_{ku} = K_{vyk} \cdot 10^{-7} \cdot \left( \ln \left( K_f + \frac{K_u}{\sqrt{F}} \right) \right)^{-1},$$

Where  $K_{vyk}$  is a coefficient of cable usage;

$K_f$  – coefficient of form lived;

$K_u$  – coefficient of nominal cable voltage;

$F$  – section lived,  $\text{mm}^2$ .

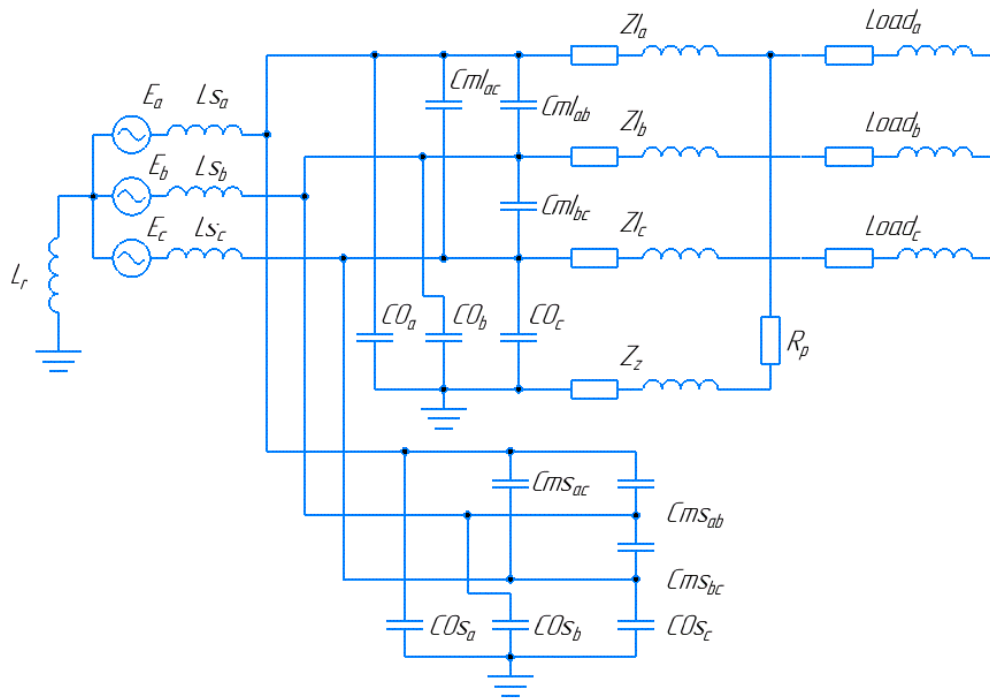


Fig.1. Simulation model of three-phase electric network

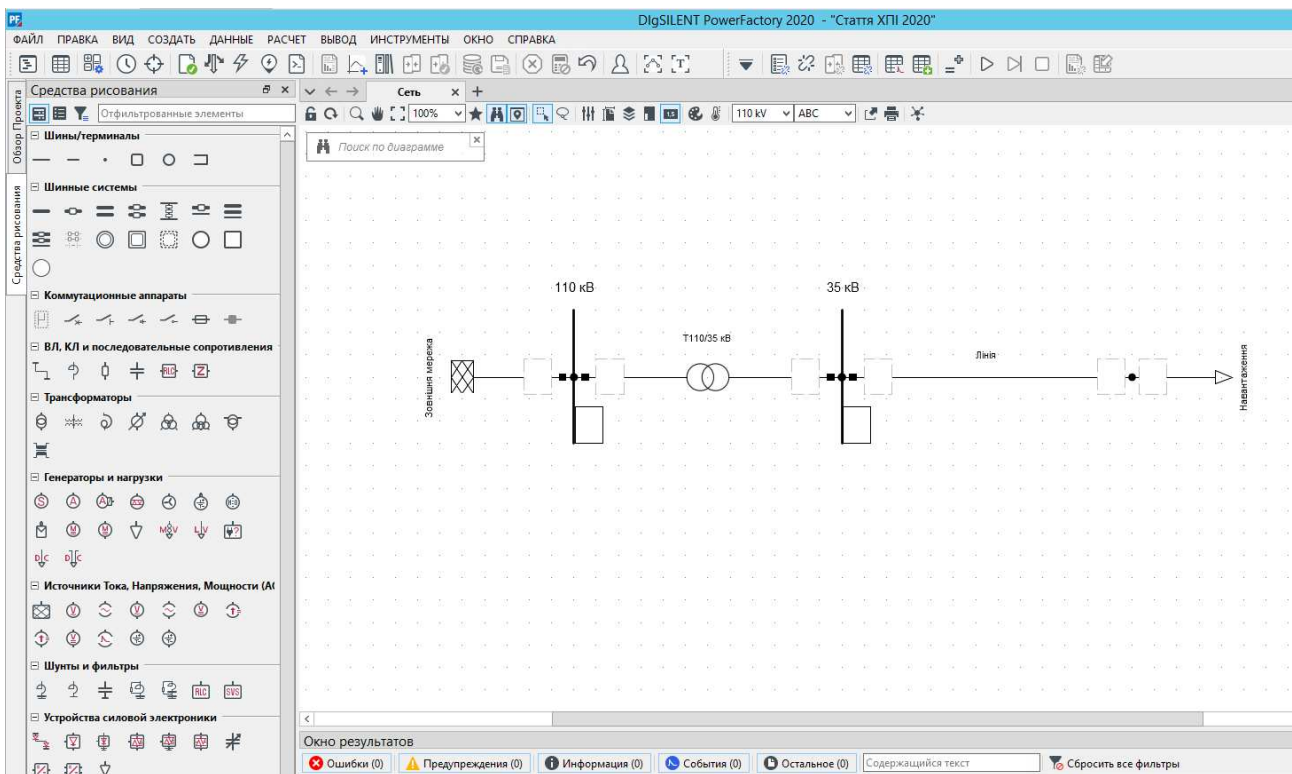


Fig. 2. A model of three-phase electric network in the DigSILENT PowerFactory program

Consider a specific example of calculating parameters when using the simulation model. To do this, we will be built in a Digsilent PowerFactory model model and define replacement schemes. To find the parameters of the substitution scheme, consider a specific example. To do this, take 5 air (AC 70/11; AC 95/16; AC 120/19; AC 150/19; AC

185/24) and 5 cable (PvP70/11; PvP95/16; PvP120/16; PvP150/19; PvP185/24) [10] Transmission lines of 35 kV and from 10 to 100 km long. The results are given in Table. 1.

With the help of such a simulation model, calculations with high accuracy are possible, as well as at low time spending.

TABLE 1. LINES PARAMETERS IN THE SIMULATION MODEL

A wire section, mm <sup>2</sup>		70	95	120	150	185
Air line	L, Hn	0,0138	0,0134	0,0132	0,0129	0,0129
	C, mkF/km	0,049	0,05	0,05	0,051	0,051
Cable line	L, Hn	0,00436	0,00443	0,00424	0,00404	0,00389
	C, mkF/km	4,567	5,231	5,644	5,822	6,377

## CONCLUSIONS

When using the DIGSILENT PowerFactory software complex, there is an opportunity to achieve a higher and fast result in the calculations. Compared to other specialized applied packages, the main advantage of DIGSILENT PowerFactory is an electric settlement orientation, the availability of built-in functions and algorithms for calculating and compliance with their adopted standards and the possibility of selecting the standard and calculation methodology, which allows you to reduce the time of calculation and ensure high reliability.

Creation and use of the virtual model of devices allows: to confirm the main theoretical positions in the development of devices management systems that provide the quality of electricity; To evaluate the quality of the current curve filter when using various third-party factors that creates a load.

## REFERENCES

- [1] Pazyi V.H. Pidvyschennya efektyvnosti ekspluatatsiyi elektrychnykh liniy 6-35 kV za rakhunok monitorynhu avarynykh sytuatsiy / Pazyi V.H., Cheremisin M.M., Miroshnyk O.O. // Visnyk KhNTUSH im. P. Vasylenka «Problemy enerhozabezpechennya ta enerhozberezhennya v APK Ukrainy» – Kharkiv : KhNTUSH, 2018.
- [2] Pazyi V.H. Analiz problem diahnozyky tekhnichnoho stanu ta monitorynhu rezhymiv rozpodil'nykh elektrychnykh merezh / Pazyi V.H., Miroshnyk O.O., Nesterov M.N. // Visnyk KhNTUSH im. P. Vasylenka «Problemy enerhozabezpechennya ta enerhozberezhennya v APK Ukrainy» – KCharkiv : KhNTUSH, 2017.
- [3] Kryuchkov I. P., Neklepaev B. N., Starshynov V. A. ta in Rozrakhunok korotkykh zamykan' i vybir elektroobladnannya: navch. posibnyk dlya stud. Vyscha. ucheb. zakladiv. - M.: Vydavnychyy tsentr «Akademiya», 2006. - 416 s.
- [4] Pazyi V., Miroshnyk O., Moroz O., Trunova I., Savchenko O, Halko S. Analysis of technical condition diagnostics problems and monitoring of distribution electrical network modes from smart grid platform position. 2020 IEEE KhPI Week on Advanced Technology (KhPIWeek), 57-60, 20168725 DOI: 10.1109/KhPIWeek51551.2020.9250080
- [5] Perekhidni protsesy v systemakh elektropostachannya : pidruchnyk dlya VNZ / H. H. Pivnyak, I. V. Zhezhelienko, Yu. A. Papayika, L. I. Nesen ; DVNZ "Nats. hirn. un-t". - 5-te vyd., dooprats. ta dopov. - elektron. tekst. dan. - Dnipro : NHU, 2016. - 600 s.
- [6] Trunova I., Miroshnyk O., Moroz O., Pazyi V., Sereda A., Dudnikov S. The analysis of use of typical load schedules when the design or analysis of power supply systems. 2020 IEEE KhPI Week on Advanced Technology (KhPIWeek), 61-64, 20168739 DOI: 10.1109/KhPIWeek51551.2020.9250120
- [7] Sergiy Shevchenko, Oleksandr Miroshnyk, Oleksandr Moroz, Oleksandr Savchenko, Iryna Trunova, Dmytro Danylchenko Reduce the Resistance of Zero Sequence in Four-Wire Networks 0.38/0.22 kV. 2020 IEEE KhPI Week on Advanced Technology (KhPIWeek), 437-440, 20168780 DOI: 10.1109/KhPIWeek51551.2020.9250152
- [8] DlgSILENT. Power System Solutions. <https://www.digsilent.de/en/>
- [9] Al\_Issa, H.A., Qawaqzeh, M., Khasawneh, A., Buinyi, R., Bezruchko, V., Miroshnyk, O. Correct Cross-Section of Cable Screen in a Medium Voltage Collector Networkwith Isolated Neutral of a WindPower Plant. Energies2021,14, 3026. <https://doi.org/10.3390/en14113026>
- [10] Savchenko O., Miroshnyk O., Dyubko S, Shchur T., Komada P., Mussabekov K. Justification of ice melting capacity on 6-10 kV OPL distributing power networks based on fuzzy modeling. PRZEGLĄD ELEKTROTECHNICZNY - №5, 2019., 106-109 pp. DOI: 10.15199/48.2019.05.26
- [11] Komada, P., Trunova, I., Miroshnyk, O., Savchenko, O., Shchur, T. The incentive scheme for maintaining or improving power supply quality. PRZEGLĄD ELEKTROTECHNICZNY - №5, 2019., 79-82 pp. doi:10.15199/48.2019.05.20
- [12] Trunova, I., Miroshnyk, O., Savchenko, O., Moroz, O. The perfection of motivational model for improvement of power supply quality with using the one-way analysis of variance. Naukovyi Visnyk Natsionalnoho Hirnychoho Universytetu 2019(6), p. 163-168. DOI: 10.29202/nvngu/2019-6/24
- [13] Miroshnyk, O., Szafraniec, A. Investigation of power saving modes in 10/0.4 kV distribution networks. Przegląd Elektrotechniczny. R. 96, №4, 2020, 174-177 pp. doi:10.15199/48.2020.04.36
- [14] Dudnikov, S., Miroshnyk, O., Kovalyshyn, S., Ptashnyk, V., Mudryk, K. Methodological aspects of evaluating the effectiveness of using local energy systems with renewable sources. E3S Web of Conferences. Volume 154, 2020. 1-14 pp. DOI: 10.1051/e3sconf/202015407013
- [15] Trunova, I., Miroshnyk, O., Savchenko, O., Moroz, O., Pazyi, V., Shchur, T., Kasner, R., Bałdowska-Witos, P. Scheduling of preventive maintenance of an power equipment of the agricultural enterprises. Journal of Physics: Conference Series. Volume 1781, Issue 1, 0120182020 International Conference on Applied Sciences, ICAS 2020 DOI: 10.1088/1742-6596/1781/1/012018
- [16] Olena Rubanenko, Oleksandr Miroshnyk, Sergiy Shevchenko, Vitalii Yanovych, Dmytro Danylchenko, Oleksandr Rubanenko Distribution of Wind Power Generation Dependently of Meteorological Factors. 2020 IEEE KhPI Week on Advanced Technology (KhPIWeek) 472-477, 20177492 DOI: 10.1109/KhPIWeek51551.2020.9250114
- [17] Qawaqzeh, M., Zaitsev R., Miroshnyk O., Kirichenko M., Danylchenko D., Zaitseva L. High-voltage DC converter for solar power station. International journal of power electronics and drive system. – 2020. – Vol. 11, No. 4. – P. 2135-2144. DOI:10.11591/ijpeds.v11.i4.pp2135-2144
- [18] Qawaqzeh M., Szafraniec A., Halko S., Miroshnyk O., Zharkov A. Modelling of a household electricity supply system based on a wind power plant. Przegląd Elektrotechniczny, № 96, p. 36-40, 2020 doi:10.15199/48.2020.11.08
- [19] AL-Issa, H.A., Al-Shalabi, O.E., Qawaqzeh, M., Miroshnyk, O. 3d reconstruction using multi-view stereo and depth-based segmentation. Journal of Theoretical and Applied Information Technology, 2020, 98(15), pp. 2924–2936
- [20] M.V. Kirichenko, A.N. Drozdov, R.V. Zaitsev, G.S. Khrypunov, A.A. Drozdova, L.V. Zaitseva, “Design of Electronic Devices Stress Testing System with Charging Line Based Impulse Generator”, 2020 IEEE KhPI Week on Advanced Technology, pp. 38-42, October 2020. DOI: 10.1109/KhPIWeek51551.2020.9250